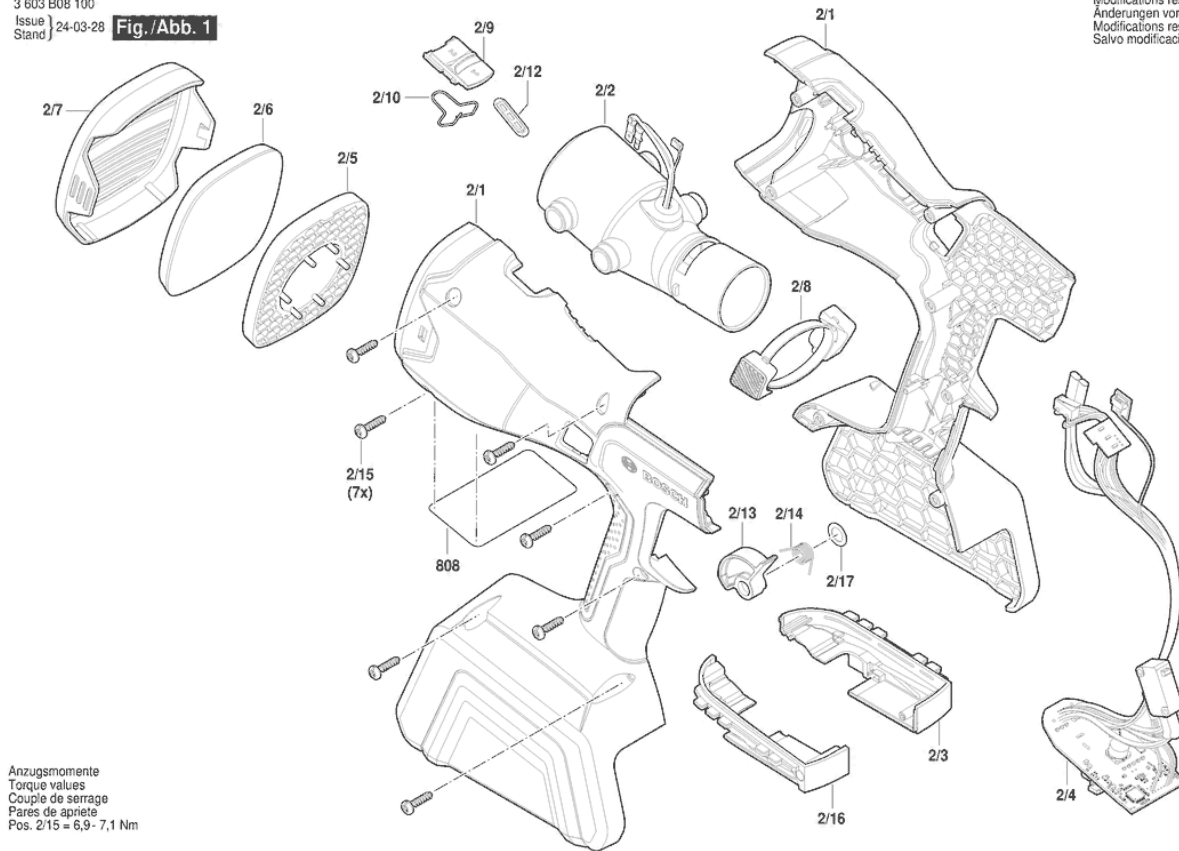


Illustration - Type - E

3 603 B08 100
 Issue | 24-03-28
 Stand | **Fig./Abb. 1**

Modifications reserved
 Änderungen vorbehalten
 Modifications réservées
 Salvo modificaciones

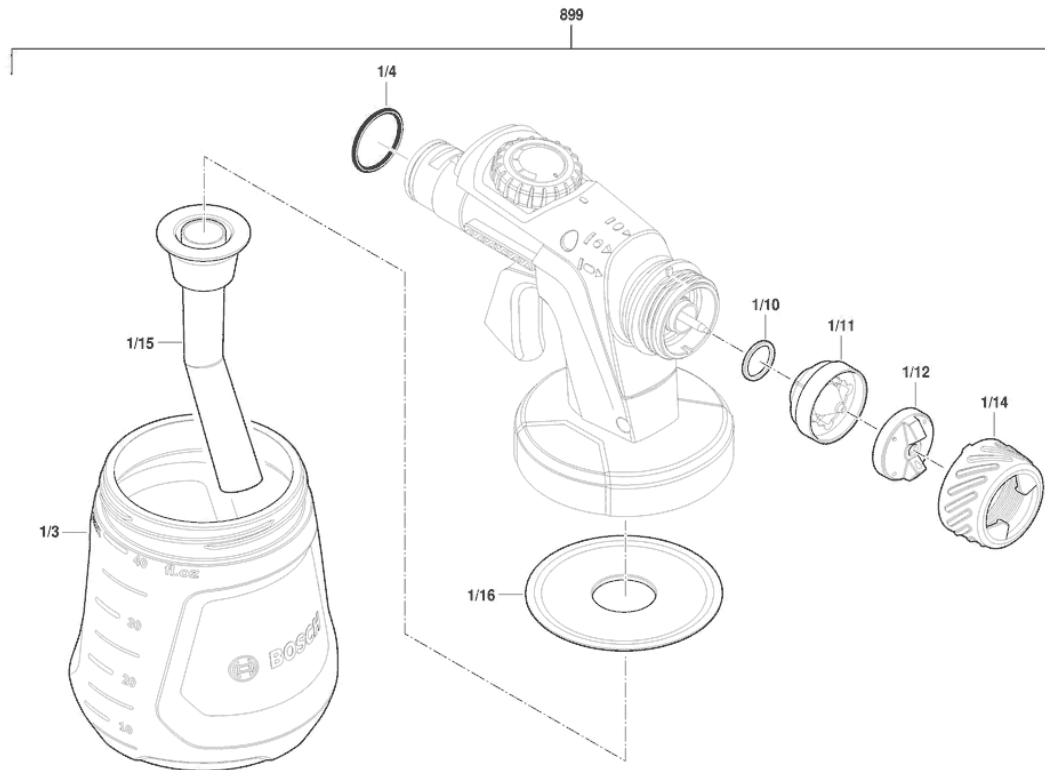


Anzugsmomente
 Torque values
 Couple de serrage
 Pares de apriete
 Pos. 2/15 = 6,9- 7,1 Nm

Illustration - Type - E

3 603 B08 100
Issue | 24-03-20
Stand | **Fig./Abb. 2**

Modifications reserved
Änderungen vorbehalten
Modifications réservées
Salvo modificaciones



Spare parts list

| Item | Part Number | Description | Illustration | Price | Quantity | Price Group |
|------|---------------|---------------------|--------------|-------|----------|-------------|
| 2/1 | 1 605 108 2TF | Housing | 1 | | 1 | 28 |
| 2/10 | 2 609 004 496 | Spring | 1 | | 1 | 11 |
| 2/12 | 1 601 11C 4BW | Sticker | 1 | | 1 | 11 |
| 2/13 | 1 600 A02 G1D | Lever | 1 | | 1 | 11 |
| 2/14 | 1 600 A02 V0V | Spring | 1 | | 1 | 10 |
| 2/15 | 2 603 490 022 | Screw 4X16 | 1 | | 7 | 10 |
| 2/16 | 1 600 A02 U27 | Battery Plate | 1 | | 1 | 12 |
| 2/17 | 2 600 101 077 | Shim 0,5 MM | 1 | | 1 | 11 |
| 2/2 | 1 600 A03 1RZ | Blower | 1 | | 1 | 38 |
| 2/3 | 1 600 A02 JT0 | Battery Plate | 1 | | 1 | 12 |
| 2/4 | 1 600 A02 JT4 | Electronic Assembly | 1 | | 1 | 34 |
| 2/5 | 1 600 A02 G18 | Filter holder | 1 | | 1 | 13 |
| 2/6 | 1 617 S02 07K | Air Filter | 1 | | 1 | 15 |
| 2/7 | 1 605 108 2TL | Filter Cover | 1 | | 1 | 14 |
| 2/8 | 1 600 A02 G19 | Elastic Element | 1 | | 1 | 14 |
| 2/9 | 2 609 004 494 | Switch Slide | 1 | | 1 | 10 |
| 808 | 1 601 11C 5VR | Nameplate | 1 | | 1 | 13 |
| 1/10 | 1 605 108 2T9 | O-Ring | 2 | | 1 | 11 |
| 1/11 | 1 605 108 2SZ | Nozzle | 2 | | 1 | 16 |
| 1/12 | 1 605 108 2T1 | Spraying Nozzle | 2 | | 1 | 14 |
| 1/14 | 1 605 108 2T0 | Union Nut | 2 | | 1 | 14 |
| 1/15 | 1 605 108 2T7 | Suction Pipe | 2 | | 1 | 13 |
| 1/16 | 1 605 108 2T8 | Sealing Plate | 2 | | 1 | 11 |
| 1/3 | 1 605 108 2T6 | Ink Reservoir | 2 | | 1 | 21 |
| 1/4 | 1 600 210 0AN | O-Ring | 2 | | 1 | 11 |
| 899 | 1 600 A02 T08 | spray gun | 2 | | 1 | 35 |